

FLEXIBLE, BUILT-IN I/O PAPERLESS RECORDER 73VR3100

Easily Integrated into a PLC System

- Compatible with various open networks
- A wide selection of input modules
- 20 msec. high speed sampling mode
- Up to 64 inputs

PLC

CC-Link

DeviceNet



Ethernet

PROFIBUS
 PROCESS FIELD BUS

LONWORKS

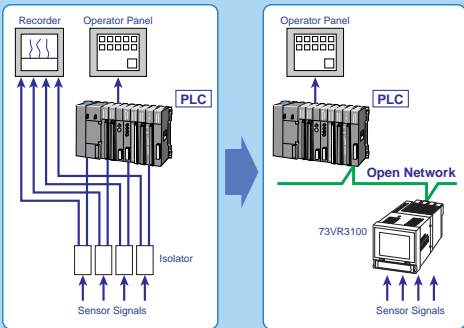
T-Link

Modbus

73VR3100 SERIES PAPERLESS RECORDER

Remote I/O with Local Display / Recording Function

Display & recording data input to a control system



Network Modules	
CC-Link	
R3-NC1-N	analog 16 pt
R3-NC2-N	analog 32 pt
R3-NC3-N	Ver.2
DeviceNet	
R3-ND1-N	analog 16 pt
R3-ND2-N	analog 32 pt
R3-ND3-N	analog 64 pt
Modbus/TCP	
R3-NE1-N	Ethernet
T-Link (Fuji Electric)	
R3-NF1-N	
Modbus	
R3-NM1-N	
PROFIBUS-DP	
R3-NP1-N	
LONWORKS	
R3-NL1-N	analog 16 pt

Realtime Trend Monitor & Recording

A free software CD including the PC Recorder Software (model: MSR128) is attached to the product package. The 73VR3100 data scattered throughout the field site can be monitored and recorded at single host PC connected via Ethernet.

